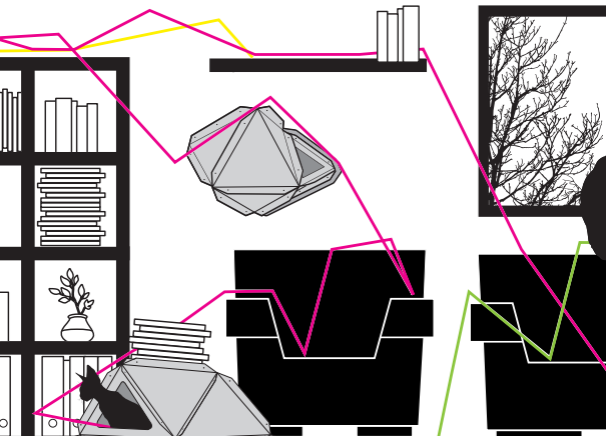
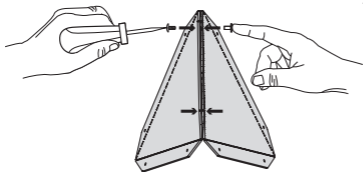
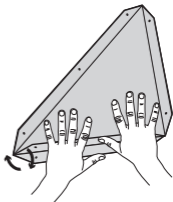
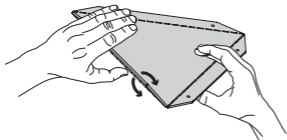


MIUT
CAT INTERIOR SOLUTIONS

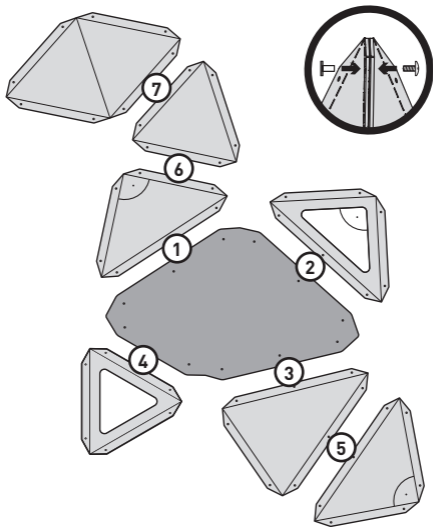


**1 BEND ALL FLAPS
IN BOTH DIRECTIONS**

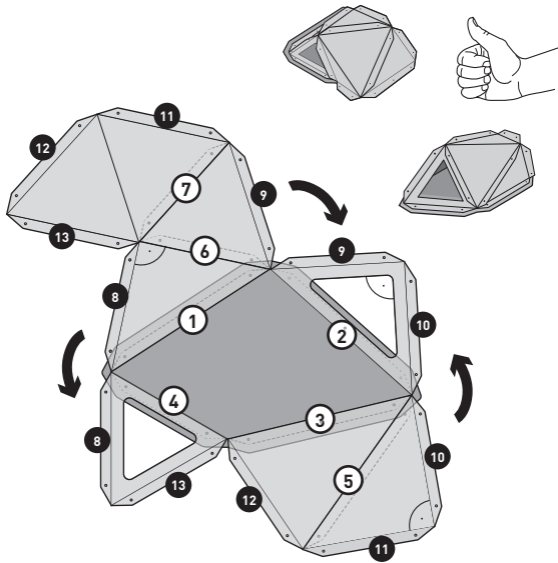


30 STK

2 POSITION PARTS



3 CONNECT PARTS




4 DEFINE PLACE & ANGLE

(A) CHOOSE PLACE & ANGLE

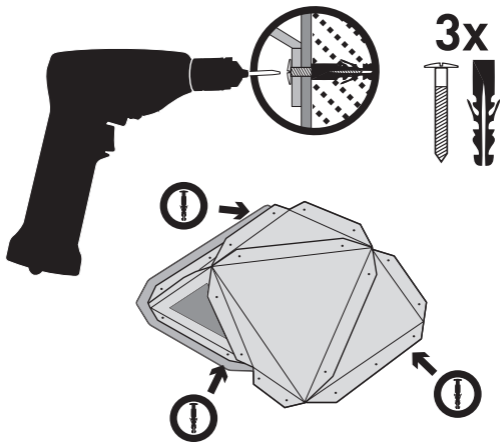


(B) MARK & DRILL

REMOVE 3X 



5 MOUNT TO THE WALL



**CHOOSE THE APPROPRIATE SCREWS AND
DOWELS FOR YOUR WALL.**

6 ENJOY !

