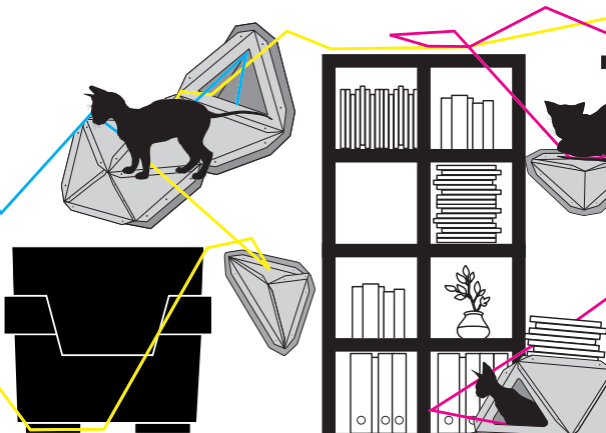
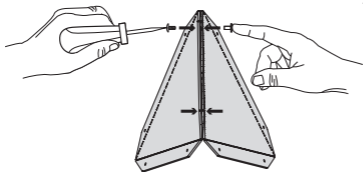
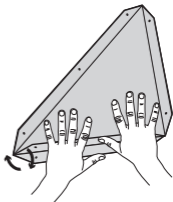
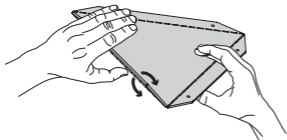


# MIUT

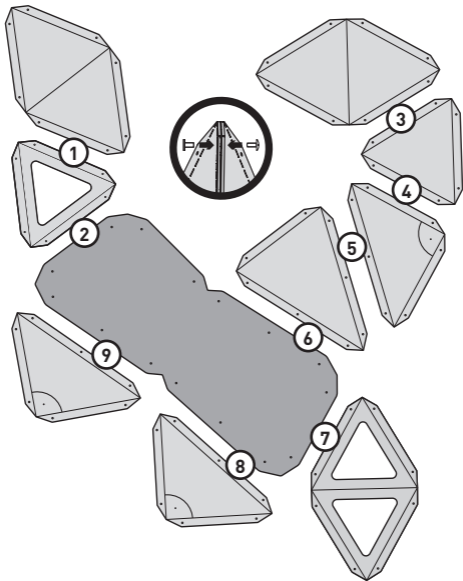
CAT INTERIOR SOLUTIONS



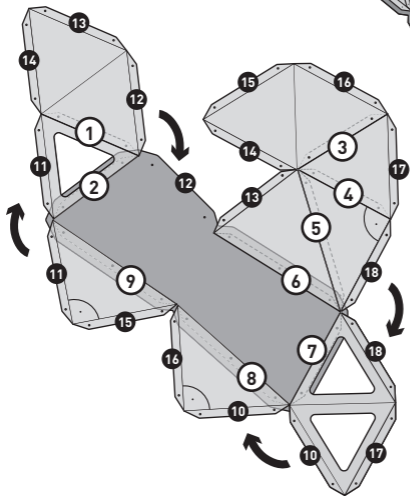
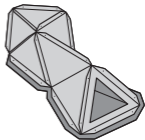
**1 BEND ALL FLAPS  
IN BOTH DIRECTIONS**



## 2 POSITION PARTS

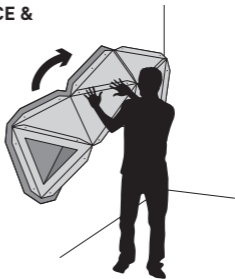


### 3 CONNECT PARTS




# 4 DEFINE PLACE & ANGLE

(A) CHOOSE PLACE & ANGLE

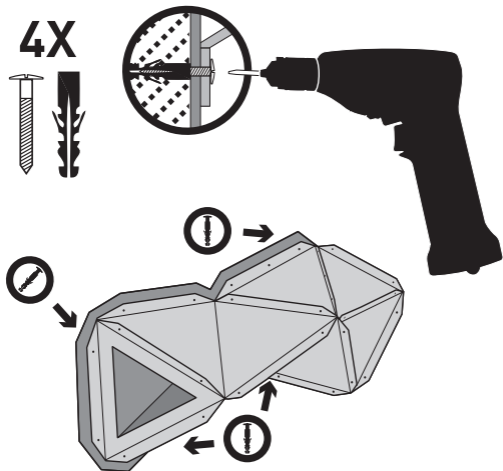


(B) MARK & DRILL

REMOVE 4X 



## 5 MOUNT TO THE WALL



**CHOOSE THE APPROPRIATE SCREWS AND DOWELS FOR YOUR WALL.**

6 ENJOY !

